

# The Only Turbine Starter That Thrives on the World's Dirtiest, Most Contaminated Air . . . Is Now Pre-Engaged.



Introducing the **TURBOTWIN™** T100-V Turbine Air Starter:  
"V" is for Versatile.

The T100-V provides pre-engagement, a more flexible fit and legendary durability for engine applications for starting engines up to 18,000 CID (300L) in displacement.

**Pre-Engagement, Offset Envelope and an Overhung Pinion Design Mean Even More Flexibility.**

The T100-V fits more applications...allowing more customers to choose the TDI **TURBOTWIN** for all of their large engine starting requirements. Ask about the new TDI **TURBOTWIN** T100-V.

Here's Some of What **TURBOTWIN** T100-V Offers...

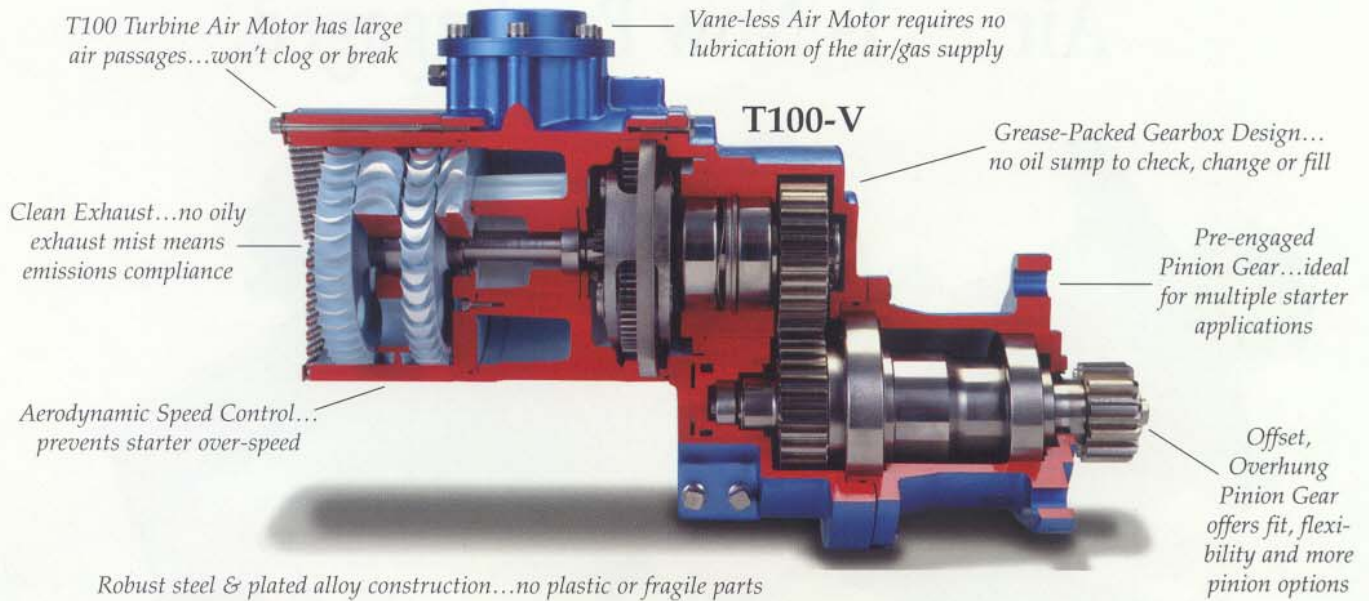
- TDI **TURBOTWIN** Motor Resists Damage by Air/Gas Contamination
- Up to 25% More Power than Other Turbine Starters
- Aerodynamic Speed Control...Prevents Starter Over-Speed or Gear Box Burn-Out Even On Extended Crank Cycles
- No Plastic Parts...Robust Steel and Plated Alloy Construction Throughout
- Grease-Packed Gears and Bearings Reduce Maintenance
- Eliminates Fugitive Starter Exhaust Emissions
- Standard or Low-Pressure Models Available
- Lightweight...Only 53 Lbs. for Ease of Handling and Installation
- Never Needs Lubrication of the Supply Air/Gas; Eliminating the Oily, Messy Exhaust from Vane Type Starters

**TDI**  
TECH DEVELOPMENT INC.

6800 Poe Avenue, P.O. Box 13557, Dayton, Ohio 45413-0557 • Tel: (937) 898-9600 Fax: (937) 898-8431  
**TURBOSTART**, **TURBOVALVE**, **TURBOSTART TWO**, and **TURBOTWIN** are trademarks of Tech Development Inc.,  
U.S.A. © Copyright 1998, Tech Development Inc. U.S.A.



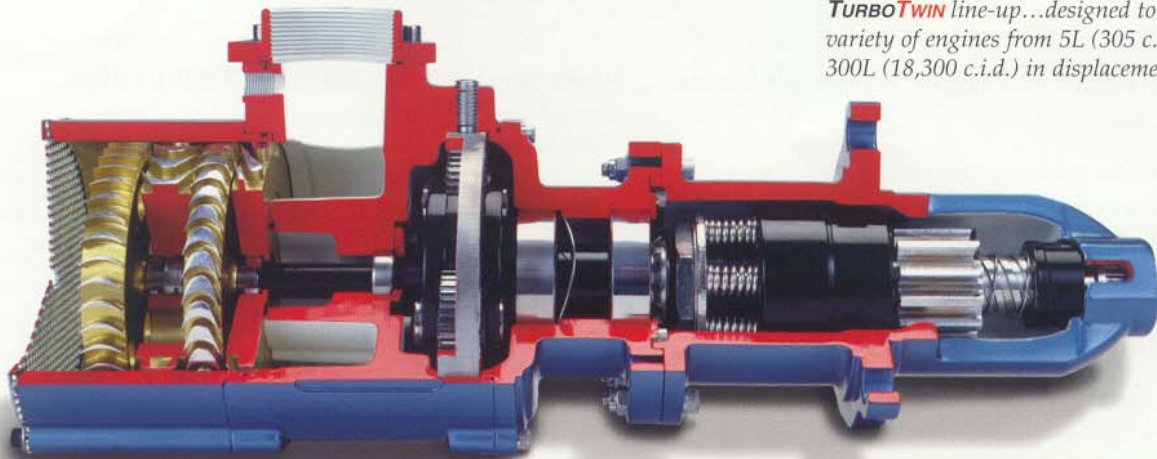
# T100-V **TURBOTWIN™** is Pre-Engagement Without Compromise.



## The T100-B **TURBOTWIN™** Engine Air Starter. The Standard in Reliable Starting Even in the Most Contaminated Supply Gas.

TDI's rugged **TURBOTWIN** turbine air motor requires no compromises... and delivers the starting power and dependability that made our name.

T100-B, T100-F, T100-D round out the **TURBOTWIN** line-up...designed to start a wide variety of engines from 5L (305 c.i.d.) through 300L (18,300 c.i.d.) in displacement.



**T100-B**  
(Inertia Engaged Starter Shown)

All **TURBOTWIN** Engine Air Starters feature grease-packed gears and bearings, and aerodynamic speed control, to provide long, trouble-free operation.

Lightweight rotating elements provide "soft engagement"... extends the life of both ring and pinion gears.

### Mining

Lightweight for easy installation

### Power Generation

Fast cranking speeds and easy packaging deliver superior starting efficiency

### Oil & Gas

T100-V handles long cranking cycles without gear box burn out

### Marine

Superior corrosion resistance promotes longer life