

InteliMains®



MAINS SUPERVISION CONTROLLER



Description

InteliMains® is a member of Inteli family designed for multiple (up to 31) gen-sets operating in parallel to mains. InteliMains® controller connects the group of gen-sets to the mains. InteliMains® allows reverse synchronising of the gen-set group operating in multi-island mode to the mains, controls mains C.B., measures mains power, power factor, reactive and apparent power, 3 phase system import/export. InteliMains® controller is equipped with a powerful graphic display. Icons, symbols and bar graphs for intuitive operation together with high functionality set new standards in gen-set control.

Benefits

- ▶ Easy solution even of complex systems with group of gen-sets
 - less wiring and components
- ▶ Can be used as bus-tie synchronizer
- ▶ Graphical site schematic for easy site overview – aggregates on one place all important system parameters
- ▶ Many types of communication
 - easy supervision and servicing
- ▶ Perfect price/performance ratio

General Features

- ▶ Mains measurement: U, I, Hz, kW, kVA, PF, kWh, kVAhr
- ▶ Bus measurement: U, I, Hz
- ▶ Sum gen-sets kWh and kVAhr (with IG-COM)
- ▶ Basic functions
 - Mains failure detection using integrated mains protections
 - Selectable partial or full MCB control
 - Configurable level switches based on mains import or object consumption
 - Load Shedding – 3 steps; selectable based on gen-sets power or mains import
 - High voltage application support
 - Display 128×64 pixels
- ▶ Event based history file (~120 records), RTC, statistics
- ▶ Inputs and outputs configurable for various customer needs
- ▶ RS232 interface with ModBus protocol support; Analog/GSM/ISDN modem communication support; SMS sending on detected failure
- ▶ Dimensions 180×120 mm (front panel)
- ▶ Sealed to IP65

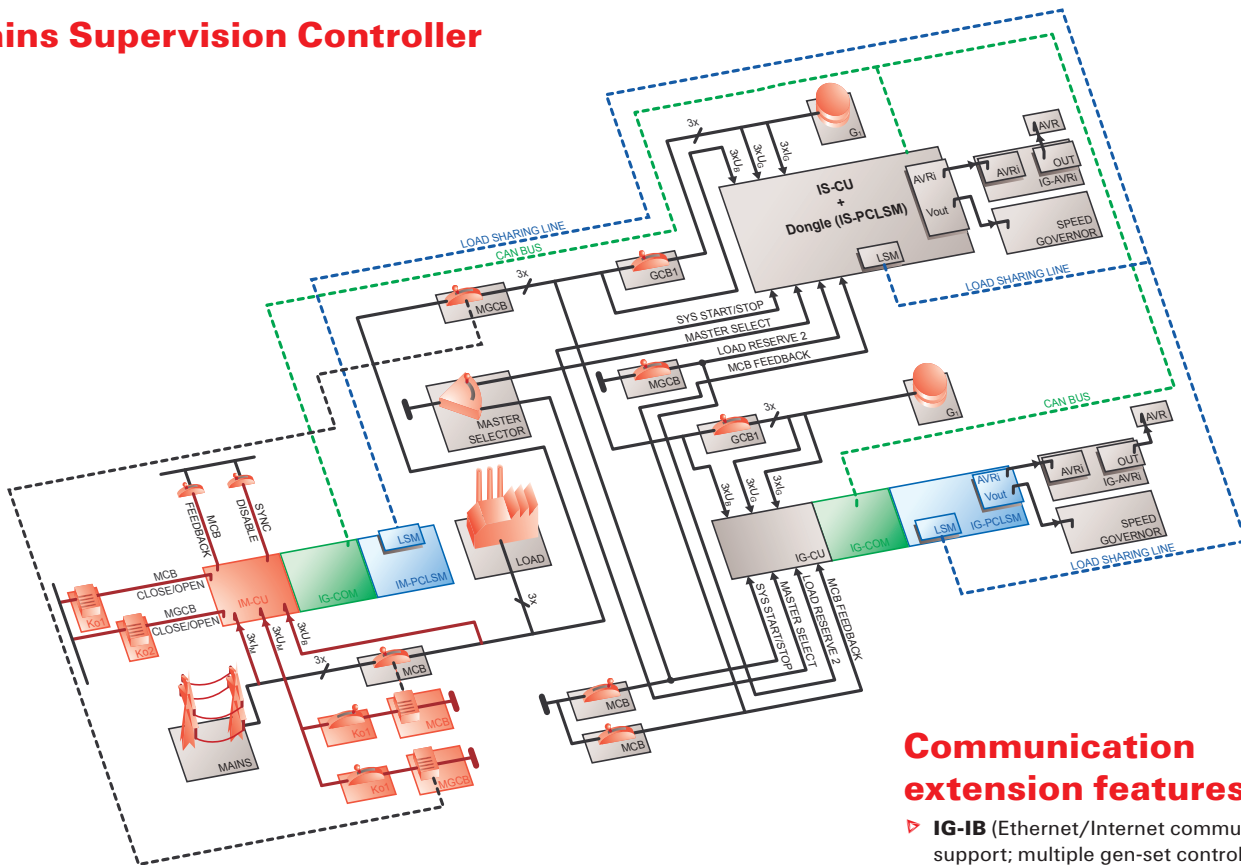


ComAp is a member of AMPS
(The Association of Manufacturers
of Power generating Systems).



ComAp products meet the highest standards, with every stage of production undertaken in accordance with the ISO certification obtained in 1998.

Mains Supervision Controller



Upgrade kits

Load Sharing (IM-PCLSM)

- ▶ Automatic MCB synchronising via Load Sharing line
- ▶ 4 additional programmable binary inputs and outputs

Load Sharing, Communication & Power Management (IM-PCLSM + IG-COM)

- ▶ Automatic MCB synchronising and power control via Load Sharing line
- ▶ Gen-set power management common outputs for system control
- ▶ Power control modes:
 - Import/Export (matches predefined mains Import/Export value)
 - Analog extern (runs gen-sets at power level given by an analogue input)
 - Temp by Power (runs gen-sets at power level needed to match predefined temperature measured at an analogue input)
- ▶ Voltage matching during synchronising
- ▶ Mains import PF control in parallel to mains
- ▶ Interface to supervision system

Extension features

- ▶ **IG-IOM** (4 analogue inputs, range 0-2400; 8 binary inputs; 8 binary outputs; 1 analogue output)
- ▶ **IGS-PTM** (4 analogue inputs, ranges 0-250 / 0-20 mA / 0-100 mV; 8 binary inputs; 8 binary outputs; 1 analogue output)

Integrated protections

- ▶ 3 phase integrated mains protections (U + f), voltage unbalance
- ▶ Mains IDMT overcurrent + Shortcurrent protection, current unbalance, Mains reverse power
- ▶ Vector shift protection
- ▶ All binary/analogue inputs free configurable for various protection types: Warning / Write history / Write history + Active call
- ▶ Phase sequence supervision

Communication extension features

- ▶ **IG-IB** (Ethernet/Internet communication support; multiple gen-set control via Internet; active e-mails on gen-set failure; Internet dial-up / callback function)
- ▶ **IG-MU** (direct or modem control of multiple gen-sets; RS422 / RS485 / ModBus support for direct connection; Analog / GSM / ISDN modem support; modem callback function) Communication extension feature
- ▶ **WinEdit** – free PC software for configuration and supervision of one IG/IS controller (gen-set); direct / modem / Internet connection
- ▶ **MultiEdit** – free PC SCADA software for supervision of a group of IG/IS controllers (gen-sets); easy site overview, including MCB state and load consumption
- ▶ **IGS-LOG** – PC software for long-term data logging from site with multiple gen-sets; allows displaying of a common history from all gen-sets on site for easy problem finding
- ▶ **Supervisor** – automatic data acquisition PC software; periodically downloads data from multiple sites via modem
- ▶ **I-RD** – Remote display, connected to RS232 interface; up to 1,2 km away from the main controller, offers the exact copy of controller's front panel

MANUFACTURER:



ComAp, spol. s r. o.
 Czech Republic
 Phone: + 420 266 790 611
 Fax: + 420 266 316 647
 E-mail: info@comap.cz
 Internet: www.comap.cz

LOCAL DISTRIBUTOR / PARTNER:

